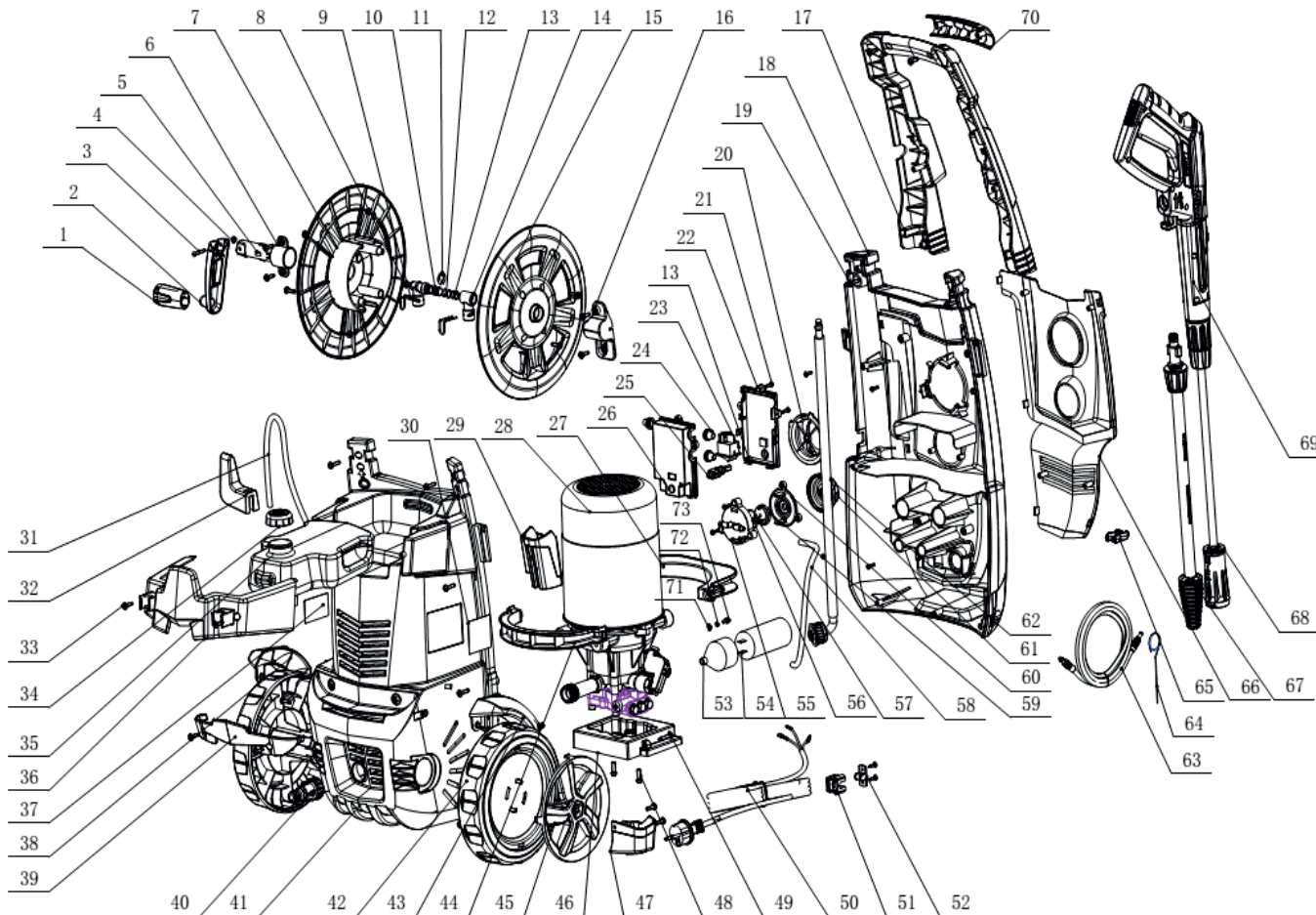


# EXPLODED VIEW



## SPARE PARTS



1	Rocking handle sleeve	1	
2	Rocking handle	1	
3	Screw	1	M4×25
4	Nut	1	M4
5	Hose reel axis	1	
6	Hose reel bracket (right)	1	
7	Hose reel(right)	1	
8	Screw	1	M6×8
9	Hose reel joint pin	2	
10	Hose reel inner joint	1	
11	Circlip	1	
12	Rubber seal gasket	2	
13	8×2/80HS	3	8×2/80HS
14	Hose reel outer joint	1	
15	Hose reel(left)	1	
16	Hose reel bracket (left)	1	
17	Handle	1	
18	Front housing	1	
19	Screw	13	ST4. 8*20
20	Switch knob	1	
21	Screw	12	ST3. 5*13F
22	main switch box	1	96
23	Main switch	1	
24	76 Cable out jacket	3	76
25	Main switch lever	1	76
26	main switch box	1	96
27	Upper fixed mount	1	128
28	motor&pump assy	1	
29	Gun holder	1	
30	Rating label	1	
31	External detergent tube	1	
32	Cable hook	1	
33	Screw	18	ST4. 8*16
34	Detergent bottle cap	1	
35	Detergent bottle	1	
36	Accessories holder	1	
37	Warning label	1	
38	Wheel guard plate(right)	1	
39	Accessories bracket	1	
40	Quick connector&water filter	1	
41	Back housing	1	
42	Wheel	2	
43	Wheel guard plate(left)	1	
44	Lower fixed mount	1	128
45	Wheel cover	2	

46	Pump fixed seat	1	
47	Gunstock	1	
48	Screw	2	M6*16
49	Screw	2	ST4. 8*25
50	Power cable	1	
51	Cable jacket	1	
52	Cable pressplate	1	
53	Capacitor cover	1	
54	Capacitor 30uf	1	30uf
55	Detergent adjusting valve se	1	
56	O-ring	1	5×2/70HS
57	O-ring	1	25×2/70HS
58	Built-in detergent tube	1	
59	Detergent adjusting valve sp	1	
60	Detergent adjusting valve de	1	
61	Detergent adjusting knob	1	
62	Built-in pressure hose	1	
63	High pressure hose	1	
64	Cleaning pin	1	
65	Hose clip	1	
66	Decorative plate(front)	1	
67	Turbo Nozzle	1	
68	Adjustable Nozzle	1	
69	Gun	1	
70	Handle sleeve	1	